

# Thermometer, Industrial type

## Stainless steel design



**REXOTHERM**



### Design

- According to European Norm EN 60529.
- Accuracy 1,5% of full scale value.
- Hermetically sealed with bayonet fitting.
- Degree of protection IP65.

### Application

Thermometer in stainless design with sealed casing. Suitable for measurement in aggressive and corrosive environments.

### Accessories

Coloured zones  
Loose red pointer  
Tell tale pointer  
Electrical contact device  
(for casing Ø 100 and 150 mm only)

### Temperature Ranges

-40+40°C	0+160°C
-30+50°C	0+200°C
-20+60°C	0+250°C
-10+50°C	0+300°C
0+60°C	+50+360°C
0+100°C	+50+400°C
0+120°C	+50+500°C

Measuring System: Bimetal

Standard Connection: G 3/8 B  
G 1/2 B

### Type No

### Connection

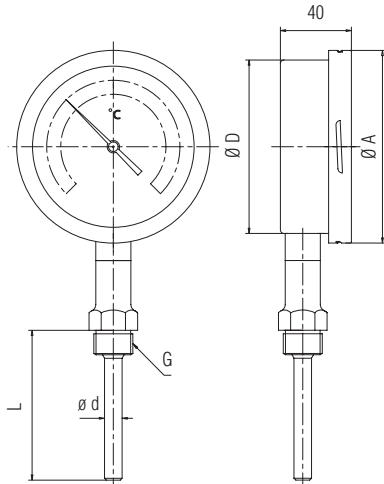
### Mounting

RX-481- 781	Back, fixed connection	Direct
RX-482- 782	Back, plain stem	Direct
RX-482/C- 782/C	Back, sliding union	Direct
RX-482/G- 782/G	Back, swivel nut	Direct
RX-482/GÖ- 782/GÖ	Back, female nut	Direct
RX-1481- 1781	Bottom, fixed connection	Direct
RX-1482- 1782	Bottom, plain stem	Direct
RX-1482/C- 1782/C	Bottom, sliding union	Direct
RX-1482/G- 1782/G	Bottom, swivel nut	Direct
RX-1482/GÖ- 1782/GÖ	Bottom, female nut	Direct

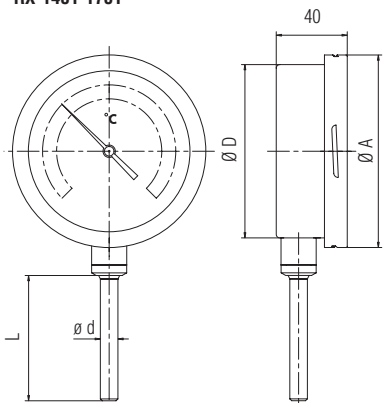


# Technical Data

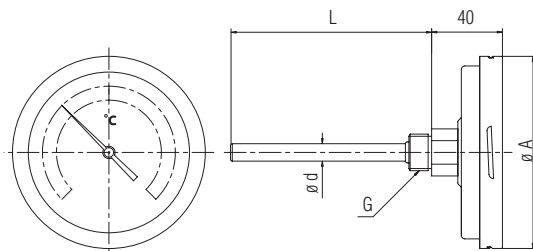
## All Types



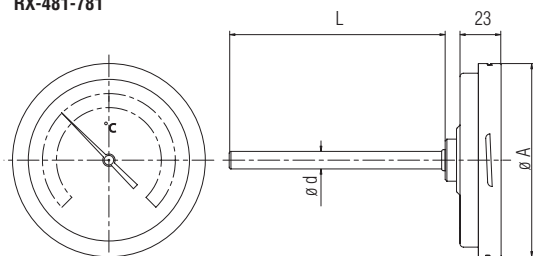
RX-1481-1781



RX-1482-1782



RX-481-781



RX-482-782

### Dimensions

See table at side.

### Design

Thermometer with stainless case and back or bottom stem entry of stainless steel.

Connections see table overleaf.

### Measuring System

Bimetal.

### Casing/Bezel

Stainless steel AISI 304.

### Max. Working Temperature

Full scale value at continuous operation, 10% over-load capacity for temporary operation only.

### Degree of protection

IP 65.

### Mounting

Back or bottom entry.

### Immersion Length

To customers' specifications.

### Working Pressure

Max. working pressure without thermowell = 25 bar.

### Special Design

Liquid filled casing and stem for vibration protection.

### Thermowell

Screw-in types, flanged or weld-in pockets to be supplied in various materials such as stainless steel, Hastelloy, Inconell or Kanthal.

Thermowells can be supplied with material analysis certificates.

Dim Ø	Back stem entry				Bottom stem entry			
	65	80	100	150	65	80	100	150
AØ	75	90	110	160	75	90	110	160
DØ	-	-	-	-	65	80	100	150

