

Pressure Gauge RX-2010-63

Industrial Design, Liquid filled class 1,6



REXOTHERM



Design

- Acc. to European Norm EN 837-1:1998.
- Accuracy class 1,6.
- To operate up to 75% of scale at constant pressure.
- Degree of protection IP65.

Application

The gauge is suitable for measurement of pressure of liquids and gases including conditions of severe vibration.

Pressure Ranges

- 1-0 bar/psi	0-10 bar/psi
-1-0-0,6 bar/psi	0-16 bar/psi
-1-0-1,5 bar/psi	0-25 bar/psi
-1-0-3 bar/psi	0-40 bar/psi
-1-0-5 bar/psi	0-60 bar/psi
-1-0-9 bar/psi	0-100 bar/psi
-1-0-15 bar/psi	0-160 bar/psi
0-0,6 bar/psi	0-250 bar/psi
0-1 bar/psi	0-400 bar/psi
0-1,6 bar/psi	0-600 bar/psi
0-2,5 bar/psi	
0-4 bar/psi	

Measuring System:

C-type, bronze, soldered brass connection
Above 100 bar screw type, stainless AISI 316, welded bourdon

Connection standard:

G 1/4 B

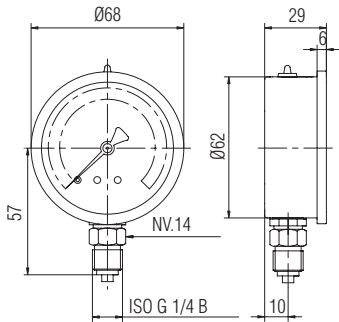
Type No.	Connection	Mounting
RX-2010	bottom	direct
RX-2015	bottom	back flange for surface mounting
RX-2011	back	direct
RX-2017	back	clamp fixing for flush mounting
RX-2018	back	front flange for flush mounting



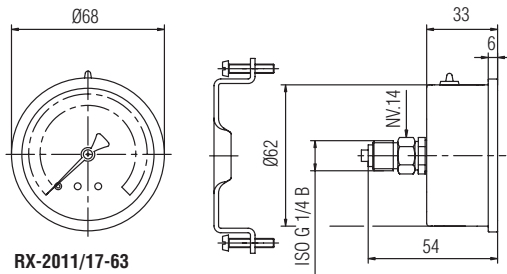


Tecnical Data

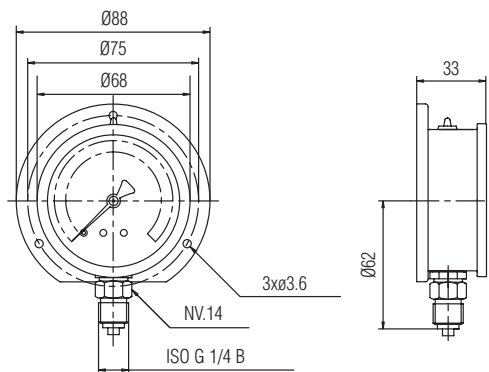
RX-2010-63



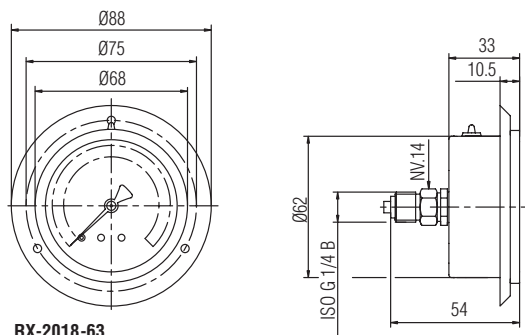
RX-2010-63



RX-2011/17-63



RX-2015-63



RX-2018-63

Measuring System/Material

Liquid dampened.
C-type bronze bourdon.
Above 100 bar screw type stainless steel AISI 316 welded bourdon.

Movement

Brass.

Dial

Concentric scale, white dial and black markings.

Units of measurement

Gauges are supplied as standard with dual scale bar/psi.
Single scale in bar only can be supplied.
See table overleaf for standard ranges.

Accuracy

+1,6% of scale.

Load Capacity

Max. load: 75% of range static working pressure
65% of range for cyclic pressure
Overload Up to 100% of scale for temporary surge.

Casing

Stainless steel AISI 304, Glycerine filled.
Complete with valve.

Window

Lexan 121R, Polycarbonate.

Mounting

See table overleaf and drawings at side.

Connection

G1/4 standard.

Working Temperature

Max. +100°C for stainless steel
+70°C for bronze.

